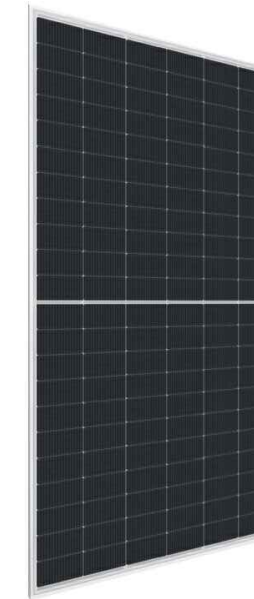
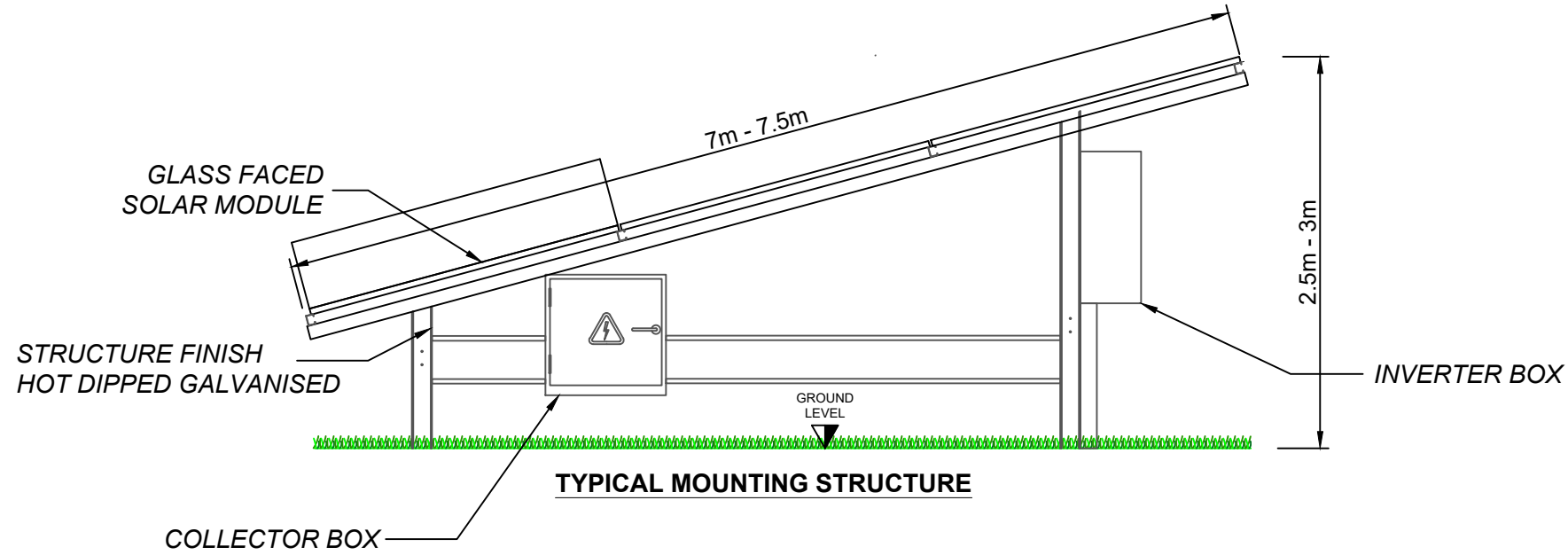
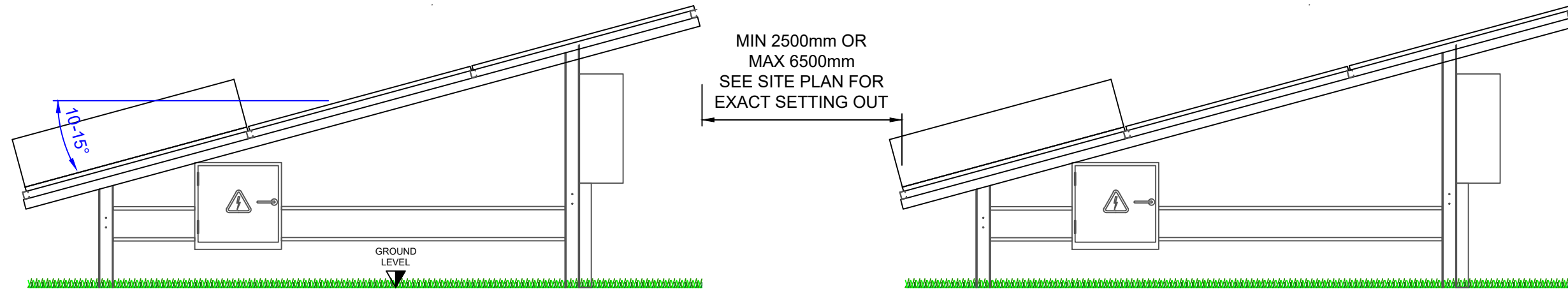


DO NOT SCALE FROM DRAWING, USE ANNOTATED DIMENSIONS ONLY

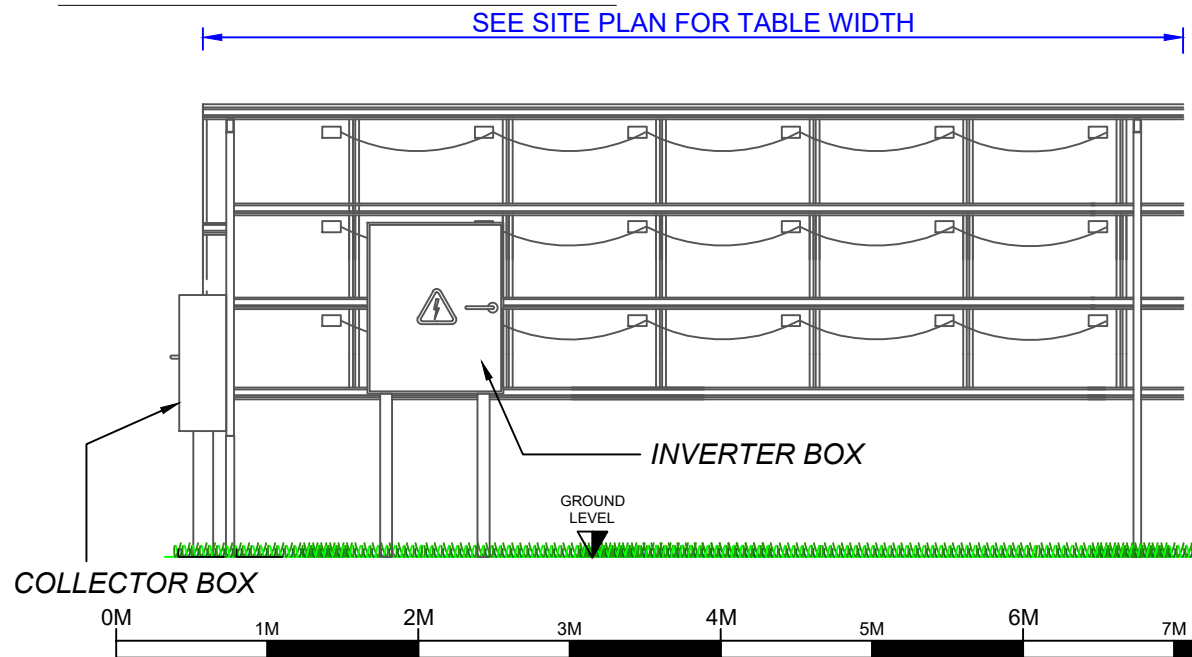
SECTIONS



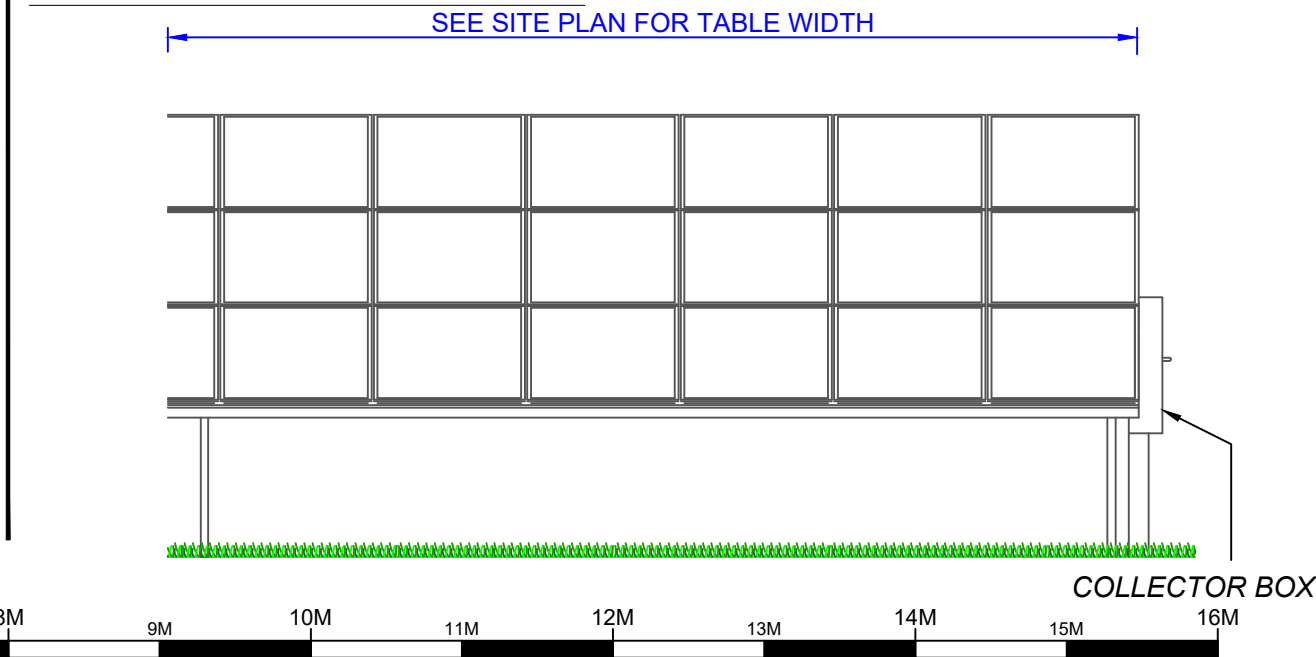
TYPICAL SETTING OUT



TYPICAL NORTH ELEVATION



TYPICAL SOUTH ELEVATION



SITE : GREAT HARMESTON
 TITLE : MOUNTING STRUCTURE
 LOCATION : LAND EAST & WEST OF JUNCTION OF MILFORD ROAD A4076 A477, JOHNSTON SA62 3HL

STATUS : **PLANNING**

SCALE : 1:50@A3 DATE : JUN 24

DRAWING NUMBER : FSF-RHL-V1-00-CM-Y-0013-S0-P02