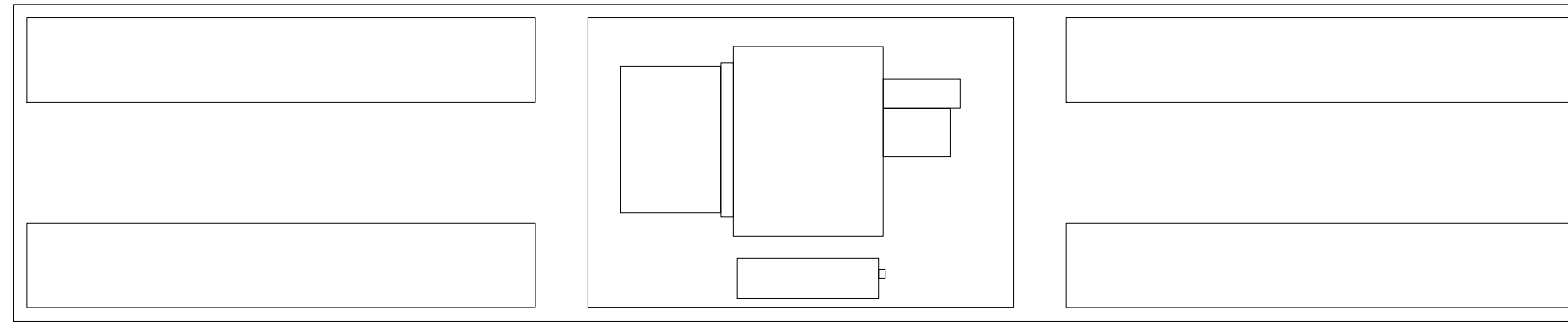
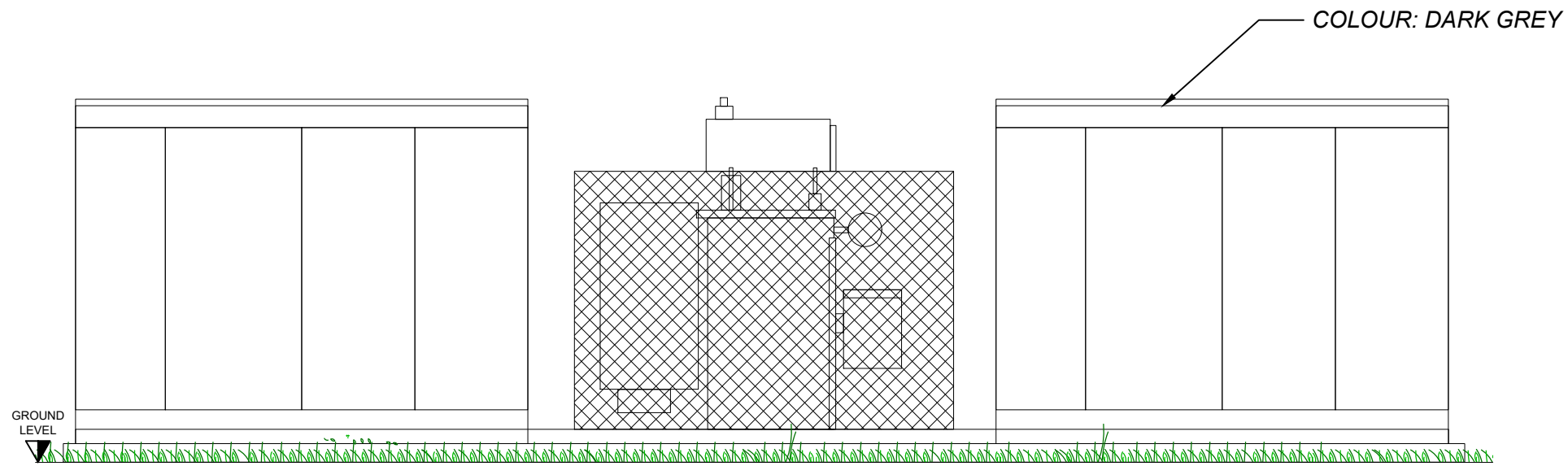


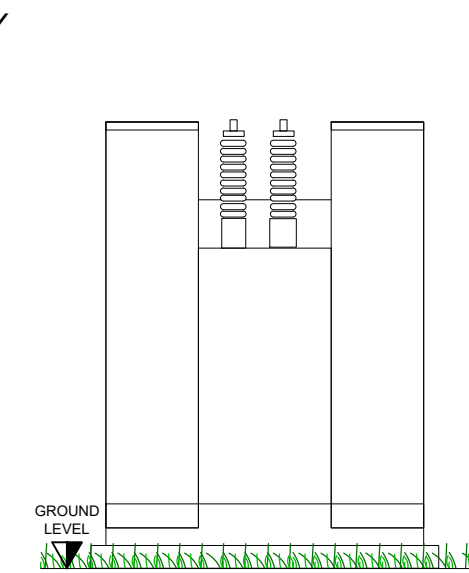
DO NOT SCALE FROM DRAWING, USE ANNOTATED DIMENSIONS ONLY



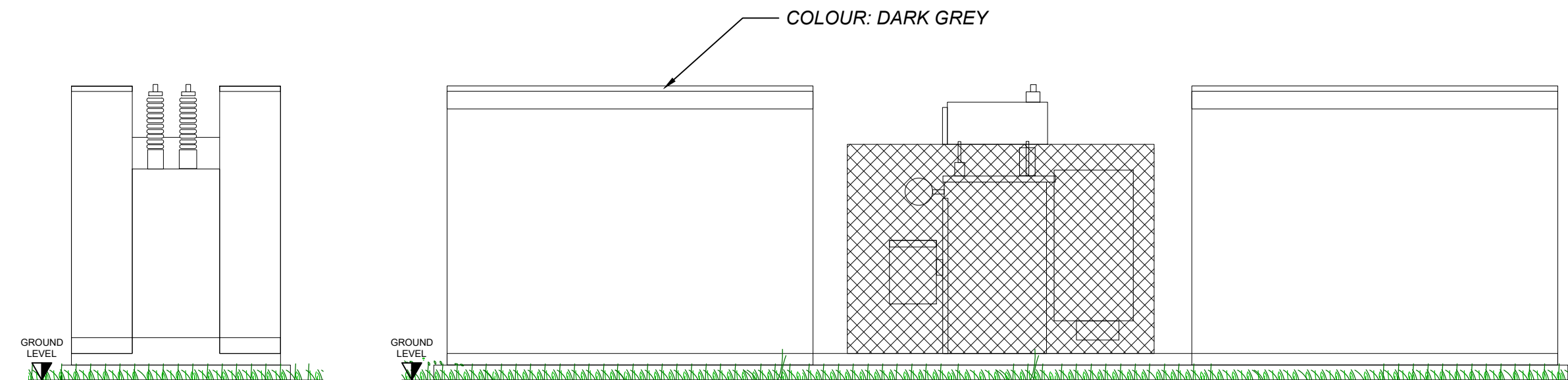
PLAN



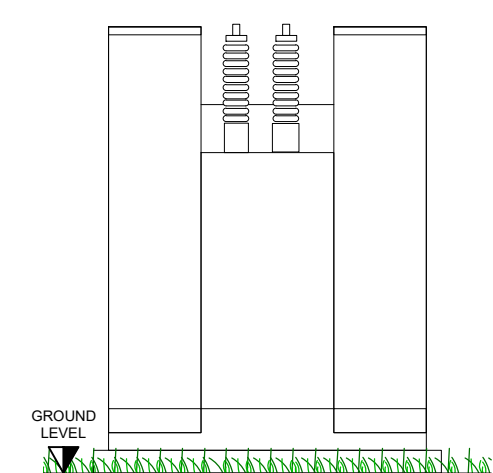
FRONT ELEVATION



SIDE ELEVATION



REAR ELEVATION



SIDE ELEVATION



SITE : GREAT HARMESTON

TITLE : OUTDOOR AUX EQUIPMENT

LOCATION :
LAND EAST & WEST OF
JUNCTION OF
MILFORD ROAD
A4076 A477,
JOHNSTON SA62 3HL

STATUS : CONSULTATION

SCALE : 1:50@A3 DATE : JUN 24

DRAWING NUMBER : FSF-RHL-V1-00-CM-Y-0007-S0-P00